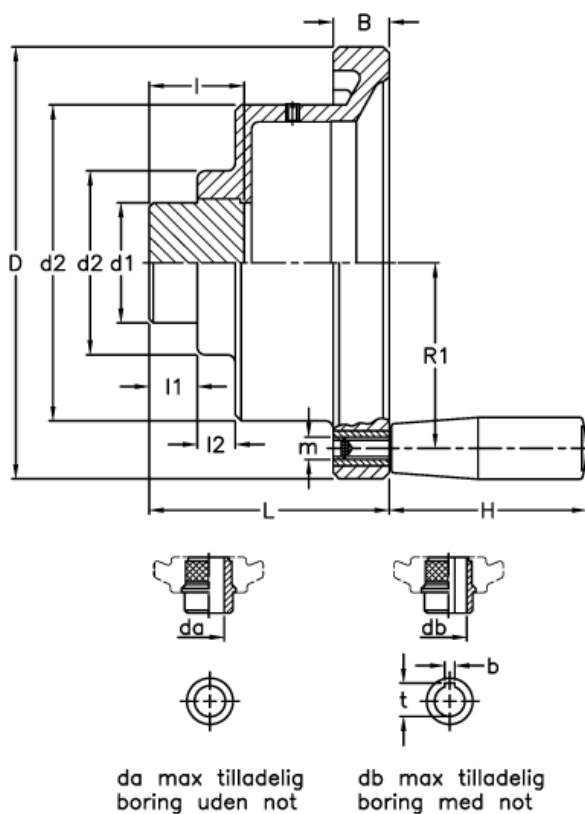


Article number: 2307031111

Description: E+G Solid handwheel
VDC.200-GXX5+I

Measures



b = 8	H = 80
B = 20	l = 34
D = 200	L = 79
d1 = 40	l1 = 13
d2 = 59	l2 = 15.0
d3 = 127	m = M10
da = 35	R1 = 87.0
db = 29	t = 32.3